



# BEHNCKE

## Three Phase Squirrel Cage Induction Motor

Motor type Q2EFB71M4C40



### Electrical Data

RATED VALUES							STARTING VALUES				BREAKDOWN	EFFICIENCY			EFFICIENCY CLASS			
VOLTAGE	POWER		SPEED	CURRENT	TORQUE	cos φ	CURRENT		TORQUE		TORQUE	%			IEC 60034-30-1			
V	kW	Hz	rpm	A	Nm	4/4	I <sub>A</sub> / I <sub>N</sub>	Y	D	M <sub>A</sub> / M <sub>N</sub>	Y	D	Mk / Mn	Nm	4/4	3/4	2/4	IE
230/400	0,25	50	1415	1,2/0,7	1,70	0,7	4,6	-	2,6	-	3,8	-	-	3,8	IE2-68,5%	68,8	66,9	IE2
265/460	0,29	60	1715	1,12/0,65	1,60	0,71	4,5	-	2,7	-	3,9	-	-	-	-	-	-	-

### Mechanical Data

Bearing DE	6202-ZZ	Color	RAL 6011
Bearing NDE	6202-ZZ	Motor protection	No
Lubricants	Shell Gadus S2 V100Q2	Method of cooling	IC 411
Condensation drain hole	No	Terminal box position	Top
External earthing terminal	Yes	Material of terminal box	Aluminium
Vibration class	A	Terminal plate thread	M4
Insulation Class	F	Cable gland	1xM20
Duty type	S1	Clamping range	10-14 mm
Direction of rotation	Clockwise	Mounting type	IM 3601 (B14-B)
Housing material	Aluminium		
Type of balancing	Half Key		

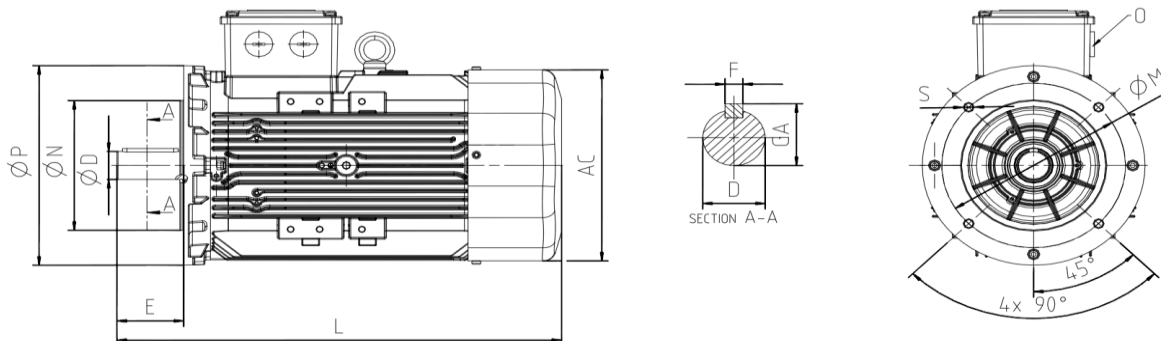
### Environmental Data

Ambient Temperature	-20 / + 40 °C
Altitude above sea level	1000 m

### Others

Type of protection	IP 55
Sound Pressure Level 50/60Hz	dBA 45/48
Inertia moment (kg.mm <sup>2</sup> )	0,00095
Standard	IEC 60034-1
Weigh (Kg)	9,2

### Dimensions



Main Dimensions      Foot Mounted Motors      Shaft      Flange Mounted Motors

AC	L	B	A	H	HD	K	C	D	E	GA	F	P	N	M	S
138	253	-	-	-	-	-	0	14	30	16	5	120	80	100	M6